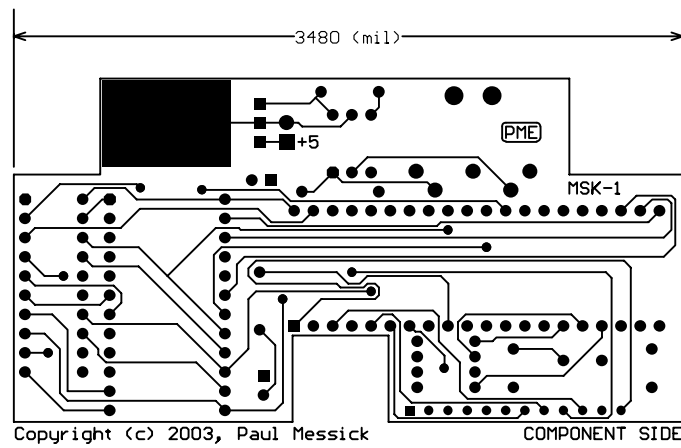
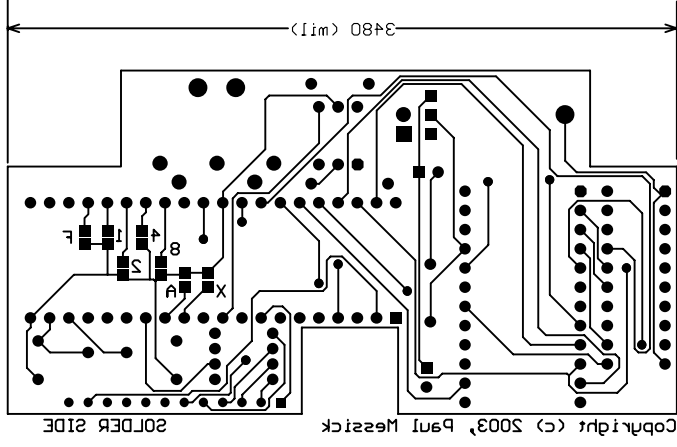
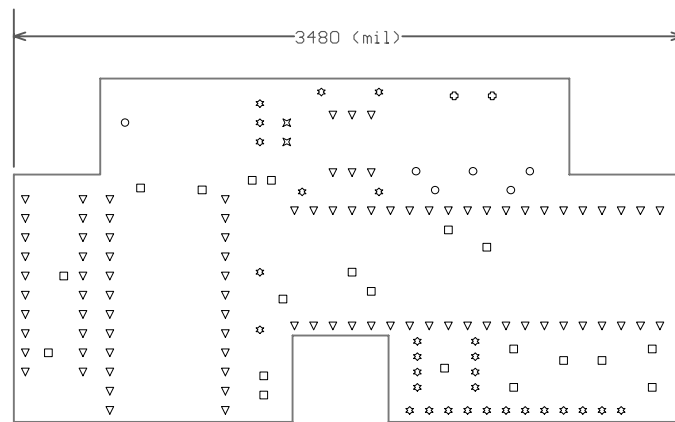


Copyright (c) 2003, Paul Messick







Copyright (c) 2003, Paul Messick

□	20	28mil	0.7112mm	PTH
*	29	32mil	0.8128mm	PTH
▽	90	35mil	0.889mm	PTH
×	2	36mil	0.9144mm	PTH
○	6	40mil	1.016mm	PTH
◇	2	48mil	1.2192mm	PTH
	149	Total		